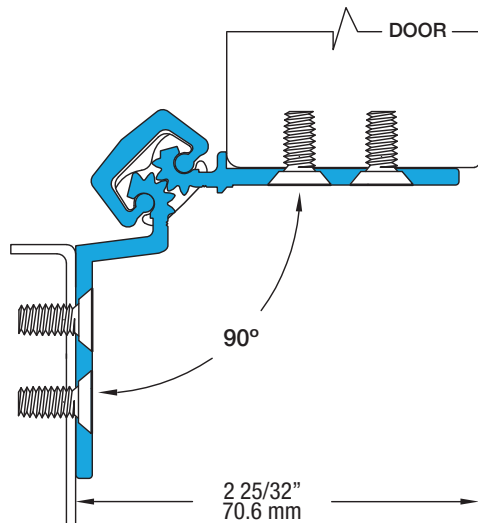
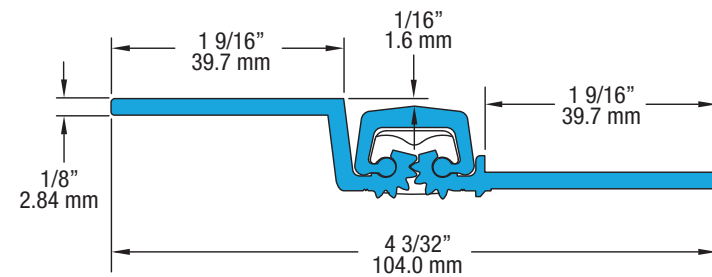
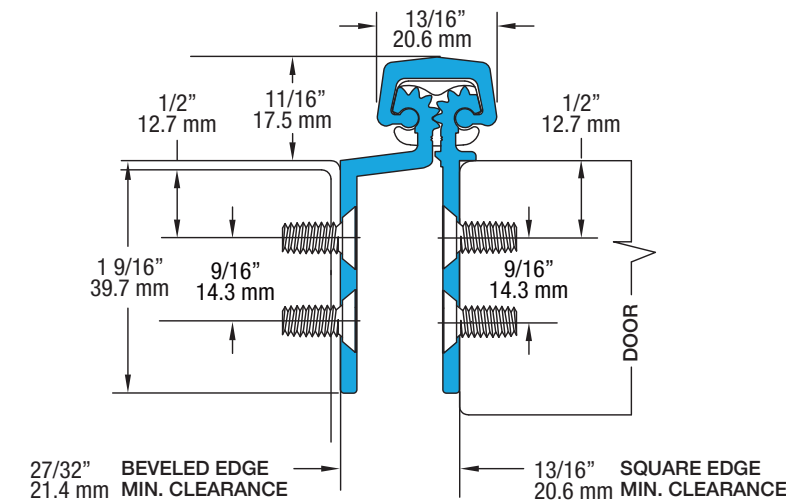


## SL71 83" HD600

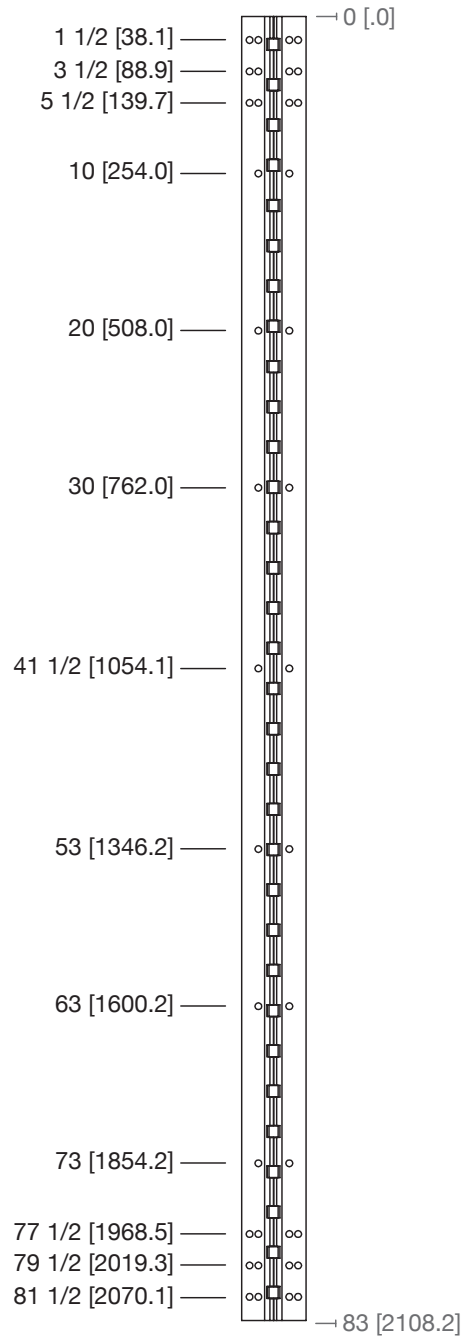
All dimensions are measured in inches and [millimeters] from the top of the door to the centerline of the holes.

### SL71 Profile



### 38 fasteners / 32 bearings

#### HOLES

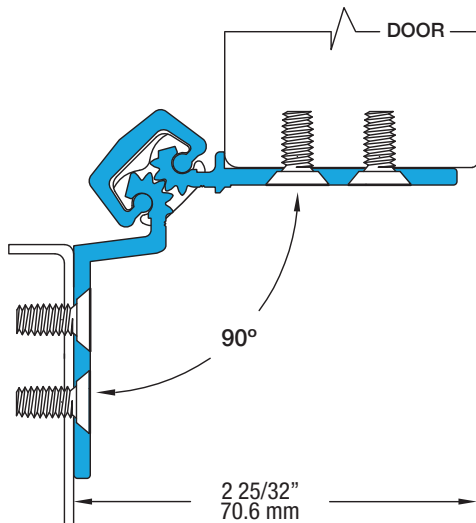
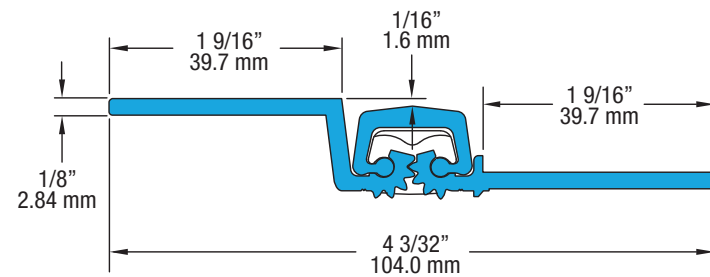
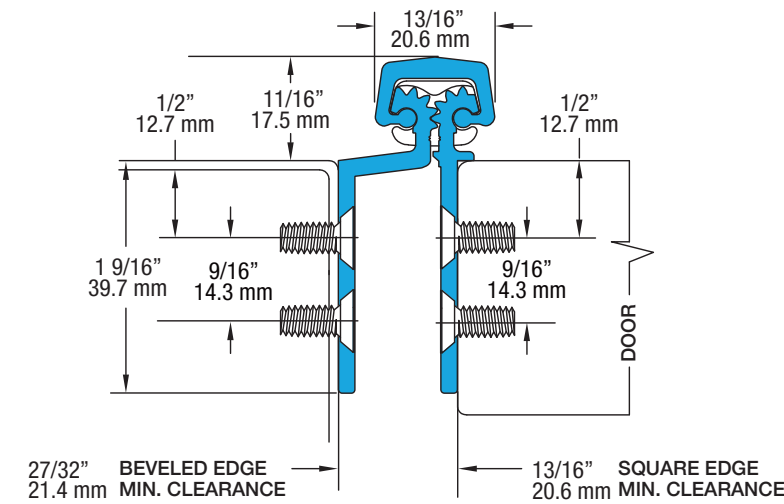


## SL71 95" HD600

All dimensions are measured in inches and [millimeters] from the top of the door to the centerline of the holes.

**42 fasteners / 36 bearings**

### SL71 Profile



### HOLES

