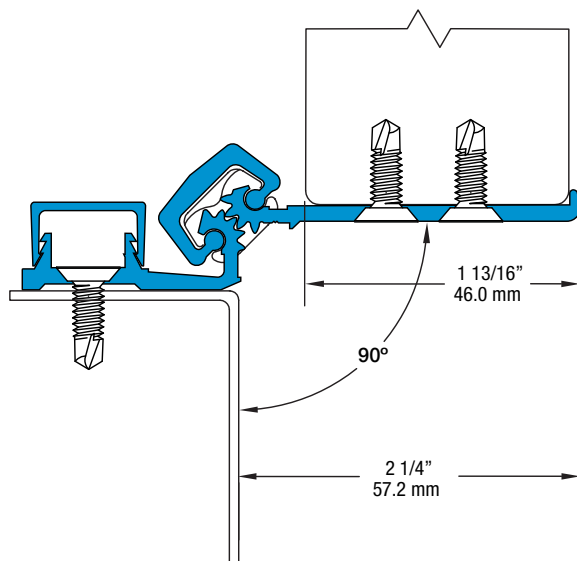
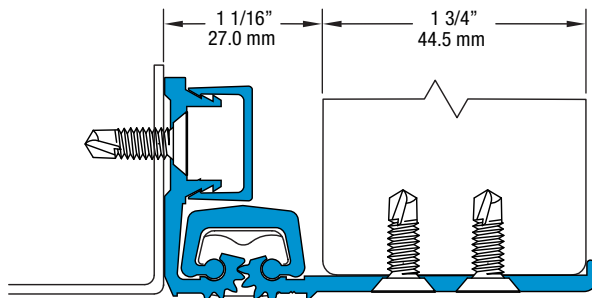
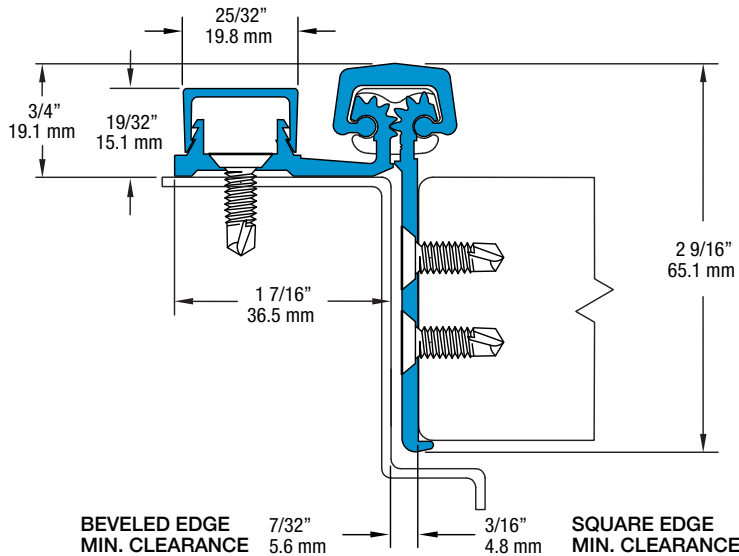


Half Mortise Geared Hinges

SL52 120" HD600

All dimensions are measured in inches and [millimeters] from the top of the door to the centerline of the holes.

SL52 Profile



37 fasteners / 47 bearings

FRAME LEAF HOLES

DOOR LEAF HOLES

FRAME LEAF HOLES	DOOR LEAF HOLES
0 [0]	— 1 1/2 [38.1]
2 1/2 [63.5]	— 3 1/2 [88.9]
	— 5 1/2 [139.7]
7 1/2 [190.5]	— 10 [254.0]
12 1/2 [327.5]	— 20 [508.0]
17 1/2 [444.5]	— 30 [762.0]
22 1/2 [571.5]	— 40 [1016.0]
27 1/2 [698.5]	— 50 [1270.0]
37 1/2 [952.5]	— 60 [1524.0]
	— 70 [1778.0]
47 1/2 [1206.5]	— 80 [2032.0]
	— 90 [2286.0]
57 1/2 [1460.5]	— 100 [2540.0]
62 1/2 [1587.5]	— 110 [2794.0]
	— 114 1/2 [2908.3]
72 1/2 [1841.5]	— 116 1/2 [2959.1]
	— 118 1/2 [3009.9]
82 1/2 [2095.5]	
92 1/2 [2349.5]	
97 1/2 [2476.5]	
102 1/2 [2603.5]	
107 1/2 [2730.5]	
112 1/2 [2857.5]	
117 1/2 [2984.5]	
120 [3048.0]	