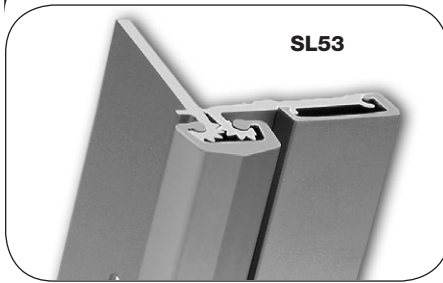
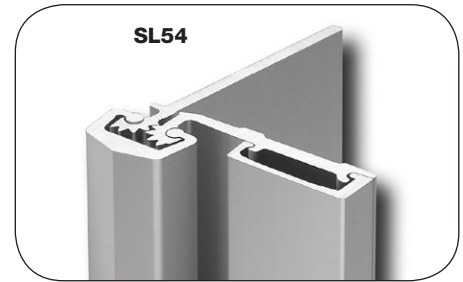
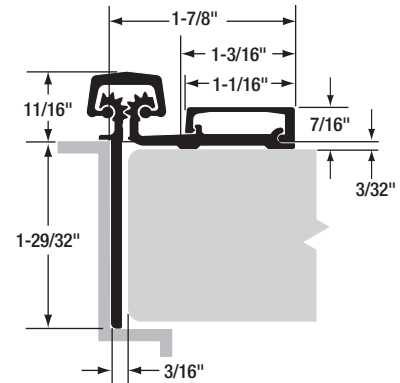
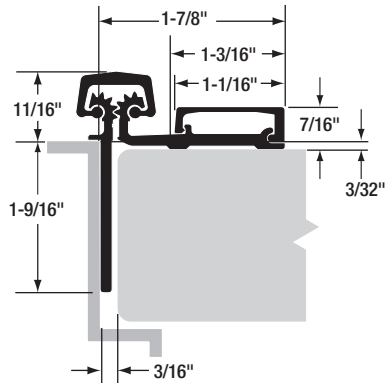


# Half Surface Geared Continuous Hinges


**SL53**

**SL54**
**Important Warranty Information:**

The following actions will void any warranty, expressed or implied:

- Failure to install the hinge according to manufacturer's specifications and requirements. (For more information, visit [selecthingerequirements.com](http://selecthingerequirements.com).)
- Use of fasteners other than those supplied with the hinge.
- Unauthorized field modifications, including alteration or removal of the factory-applied lubricant, altering the original finish or painting the hinge.



## Calculating Required Door Clearances

**For Square and Beveled-Edge Doors**

**IMPORTANT:** All standard length SELECT hinges are supplied slightly shorter than nominal door height to avoid threshold or flooring clearance problems.

**IMPORTANT:** All uncut SL53 and SL54 hinges are non-handed and templated. They become handed after cutting. If door inset is required, install a continuous piece of shim under the door leaf.

**IMPORTANT:** Refer to NFPA 80 manual for clearance requirements on fire-rated entrances.

**SINGLE DOOR:**

Hinge side clearance	5/32"	—
Latch side clearance	1/8"	—
Frame variance clearance	1/32"	—

**Total Width Clearance**      **5/16"**

**To determine door width:**

Subtract the Total Width Clearance from the width of the frame opening.

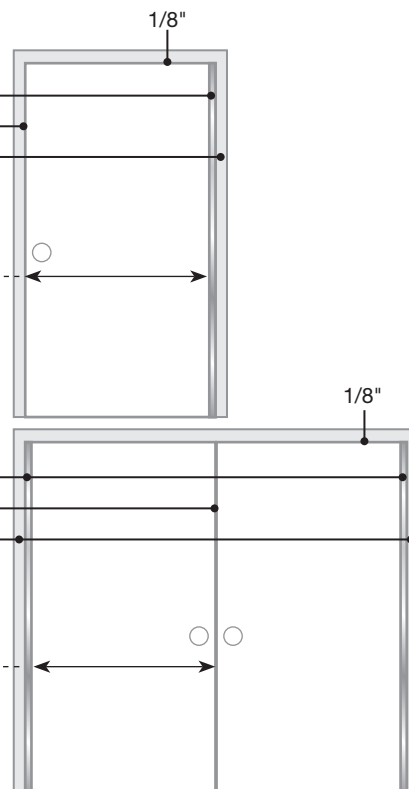
**DOUBLE DOORS (PAIR):**

Hinge side clearance	5/16" (5/32" × 2)	—
Latch side clearance	3/16"	—
Frame variance clearance	1/16" (1/32" × 2)	—

**Total Width Clearance**      **9/16"**

**To determine door width:**

Subtract the Total Width Clearance from the width of the frame opening; divide the result by 2.


**Reinforcing & Rivnuts®**

No hinge reinforcement is necessary except on extremely high-frequency, extremely heavy or extra-wide doors. Rivnuts are recommended for use in the frame when the door exceeds 450 lb. (max. 600 lb.)

**NOTE:** Only SELECT steel Rivnuts are to be used with fire-rated SELECT hinges.

**Grouted/Slushed-in Frames**

For ease of installation, it is recommended some sort of mudguard be installed behind the frame. Do not use self-drilling, thread-forming (SDTF) screws to drill into grouted frames. If mudguards have not been used, carefully drill pilot holes through frame and remove grout for screw clearance. Do not oversize holes in frame.

**Fire-Rated Hinges**

All stock SELECT hinges are 90-minute UL-rated, without pins. Please contact SELECT for complete information about its fire-rated hinges.



**NOTE:** For double-door entrances with a mullion between the pair of doors, calculate each door width using the Single Door clearances.

For double-door entrances with a mullion behind the pair of doors, calculate each door width using the Double Doors clearances.

## Tools Needed

- Metal-cutting saw
- #13 or 3/16" drill bit & 3/8" drill bit
- 5/32" drill bit (wood frames only)
- #3 Phillips drive
- 5/64" Allen wrench
- Hammer
- Shims

## Parts Supplied

- #12-24 self-drilling, thread-forming (SDTF) 410 SS Phillips undercut flathead screws
- #12-24 self-drilling, thread-forming (SDTF) 410 SS Phillips undercut panhead screws
- 1/4-20 barrel nuts (sexnuts)
- 1/4-20 shoulder screws
- 7/32" center punch
- 3/8" center punch
- Set screws

## Optional Parts

- #12 410 SS Phillips undercut flathead wood screws
- #12-24 thread-forming (TF) 410 SS Phillips undercut flathead screws
- Long barrel nuts for doors 2" – 2-1/4" thick
- Protective gloves are recommended

## How to Cut the Hinge to Fit

- Keep hinge in "door closed" position (Fig. 1).
- Determine whether this will be a right-hand or left-hand installation.

**IMPORTANT:** Cut only one end of hinge. Cut end will be installed at the bottom. Keep original templated six-hole pattern at top end of hinge.

- Using a metal-cutting saw, begin the cut through the gear cap first.

**NOTE:** DO NOT cut through a set screw bearing.

- Loosen set screw from side of door leaf cover with 5/64" Allen wrench (Fig. 1).
- Remove door leaf cover by sliding it off uncut end of hinge.
- Reinstall any set screw bearing that may have been cut off.

## A. Attach Hinge to Frame

**NOTE:** Remove door leaf cover if not already removed. See step D above.

- Shim hinge to 1/8" below the header to allow for door clearance.
- Hold hinge in "door open" position (Fig. 2) making sure frame leaf alignment flange is tight against frame face.
- Mark (or centerpunch) two holes at top and two holes at bottom of frame leaf.

**NOTE:** TF screws and wood screws require pilot holes at marked locations. SDTF screws do not require pilot holes.

Fig. 1 Door Closed Position

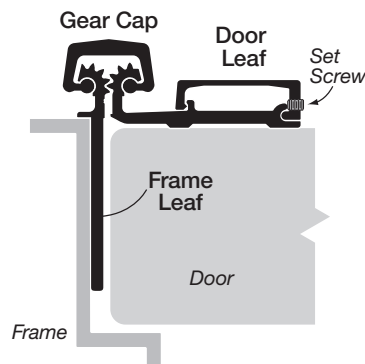


Fig. 2 Door Open 90°

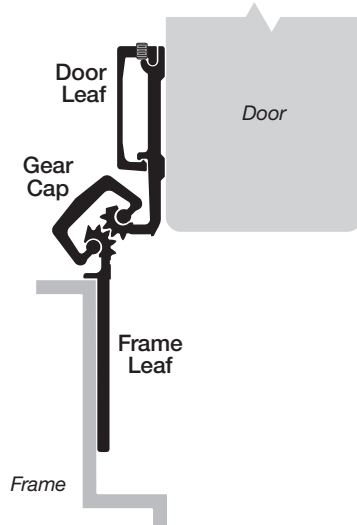
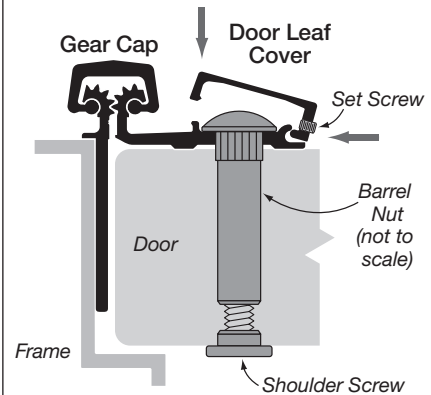


Fig. 3 Leaf Cover Installation



## SECURED SIDE, OUTSWING

**NOTE:** For inswing applications, reverse position of barrel nut and shoulder screw so that the shoulder screw is on the secured side of the door.

- Remove shims and check door clearances, alignment and operation.

**NOTE:** Door may sag slightly when shims are removed. Note the amount of adjustment needed to bring door back into alignment.

**DO NOT PROCEED UNTIL DOOR OPERATES PROPERLY.**

- Mark locations for barrel nuts on the door using 3/8" center punch.
- Remove door and lay it flat. Use 3/8" drill bit to drill holes at marked locations.

**NOTE:** Be sure to drill squarely through door.

## C. Attach Door to Hinge

- Fasten door to door leaf with the barrel nuts and 1/4-20 shoulder screws.

**NOTE:** Always install shoulder screws on the secured side of the door (Fig. 3).

- Mark (or centerpunch) remaining frame leaf hole locations. Drill holes in frame through the frame leaf and secure with flathead screws.

- Secure door to door leaf with barrel nuts and 1/4-20 shoulder screws.

**NOTE:** Always install shoulder screws on the secured side of the door (Fig. 3).

## D. Install Leaf Cover

- Align leaf cover with top edge of hinge.
- Starting from the top and working downward, apply pressure to leaf cover to snap it into place (Fig. 3).

**NOTE:** If you use a hammer to tap cover into place, be sure to protect the surface of the cover from damage.

- Tighten set screws with 5/64" Allen wrench.