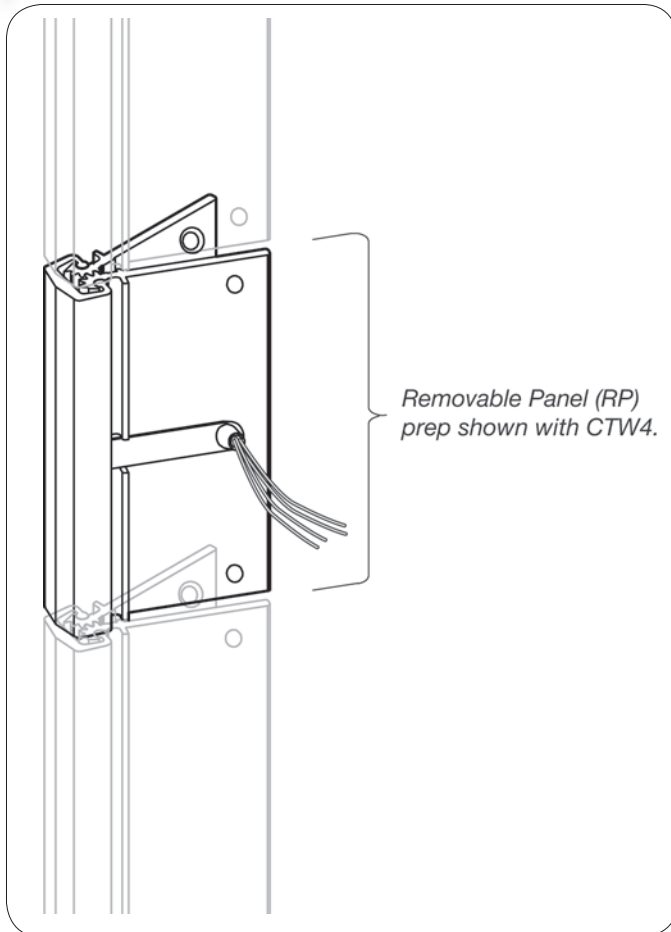


RP (Removable Panel) Geared Hinge Electric Prep



PREP: SELECT geared continuous hinges can be prepared with removable hinge leaf panels to allow easy access and service of electrical components without removing the door.

LOCATION: Dimensions will differ depending on the hinge model and electrical components requested. Hinges are installed flush with the top of the door.

A template requiring customer's approval will be designed by a SELECT engineer based on the customer's order.

HANDING: Specify the handing of each door requiring the RP.

ORDER: Use suffix "RP" after designating chosen electrical prep and its location(s). Specify handing.

Example: SL24 HD 83" Clear CTW4 42-25/32" from top of hinge to centerline, RP, RH.

AVAILABILITY: Available on geared hinge models SL11, SL14, SL18, SL24, SL26, SL27, SL31, SL38, SL44 and SL48.

LEAD TIME: 48 hours (on most orders).

IMPORTANT: SELECT Products Limited does not recommend preparing door and frame for RP before receipt of hinge. If door and frame must be prepared before receipt of hinge, contact factory for special template.

RP Prep